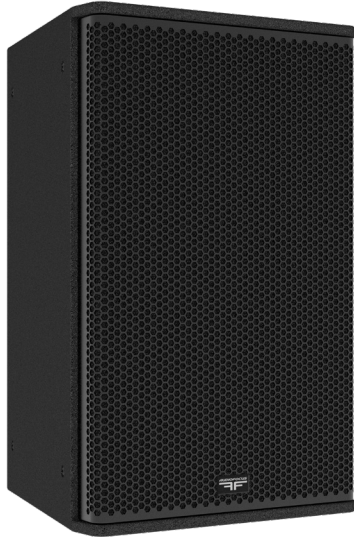


# FRX 15i High SPL. Maximum Clarity.



Up to 3.000



80° x 30°



55Hz - 20kHz

FRX 15i is a compact, powerful bi-amplified 2-way constant curvature loudspeaker, optimized for medium throw, high SPL installation applications. FRX 15i is a uniquely versatile building block for systems ranging from single top pole mounts to left/right, central cluster or in the round setups. Typically used in horizontal ground stack configurations, FRX 15i can also be flown, allowing it to adapt to the needs of the venue. The adjustable 80x30° AF horn can be configured quickly without the need for tools.

Our proprietary X-Comb DSP technology eliminates comb effects, ensuring perfect coupling between FRX 15i cabinets and creating a coherent wavefront at any location. The enclosure houses a 1.4" diaphragm compression driver loaded with a 15" neodymium low-frequency transducer and offers two distinct directivity plans.

FRX 15i can be quickly deployed in any configuration when used with AUDIOFOCUS A Series amplifiers with integral DSP and dedicated presets. Armonia presets are also available for Powersoft amplifiers.

FRX 15i is built with pride in Belgium and coated in tough, weather-resistant polyurea to safeguard your investment. The cabinet front is protected by a rigid metal grill, backed by acoustically transparent foam.

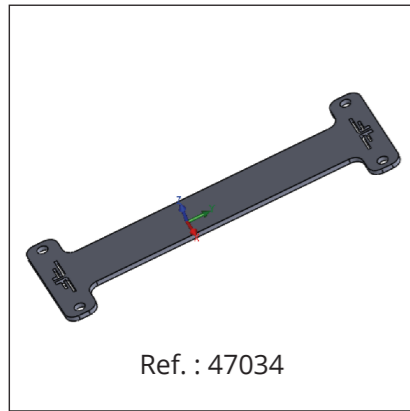
## Technical specifications

Description	2-way bi-amplified full-range installation constant curvature element
Transducers	LF: 1 x 15" • HF: 1 x 1.4" exit compression driver / voice coil diameter 1.75"
Frequency range (-6dB)	55Hz-20 kHz
Nominal directivity (-6dB)	80°x30° • Rotatable horn, no tools needed
SPL max (1)	137,8 dB
Processing	Dedicated AUDIOFOCUS and Powersoft Armonia presets
Rigging	M8 threaded inserts Optional bracket and rigging hardware available
Connectors	2 x 4-point speakON
Nominal Impedance	LF: 8ohm • HF: 8ohm
Watt AES/peak	LF: 600/2400W • HF: 80/320W
Dimensions (H x W x D)	680 x 429 x 437 mm • 26.77 x 16.88 x 17.20 inches
Weight	33,5kg / 73.85lbs
Finish	Highly resistant polyurea coating
Cabinet	High grade birch plywood

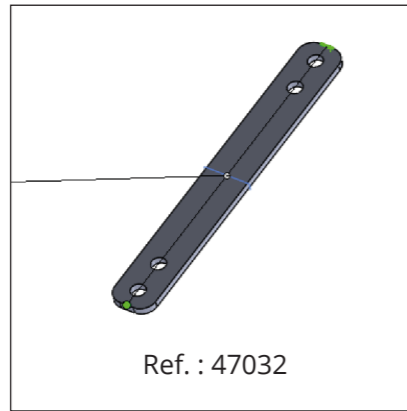
(1) Peak level measured at 1 m under free field conditions using pink noise with crest factor 5

## Accessories

Cluster plate for 2 FRX 15i



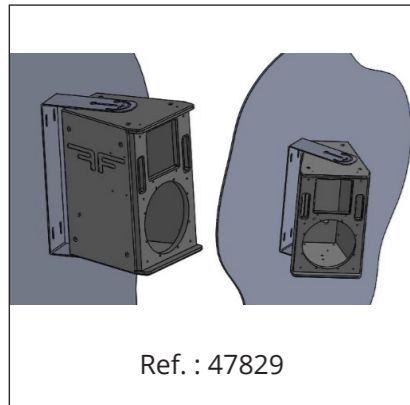
Small rigging plate



Large rigging plate



Horizontal yoke rotatable  
For truss or wall



Eyebolt M8, DIN 580 - 0.14t  
WLL

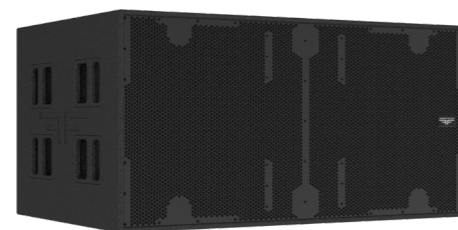


## Subwoofers

**S 21i**  
Touring high performance  
compact 21" subwoofer

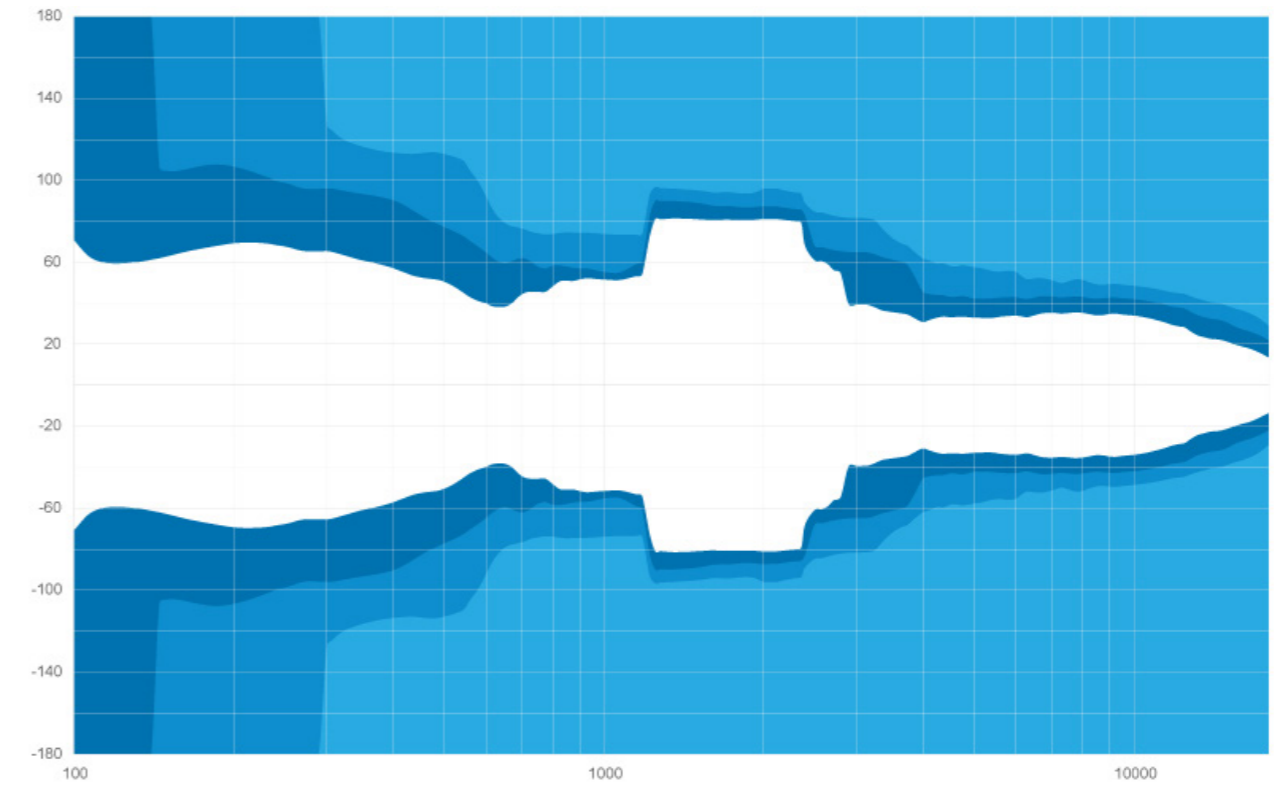


**MTSub 218i**  
Install High performance 2 x 18"  
subwoofer

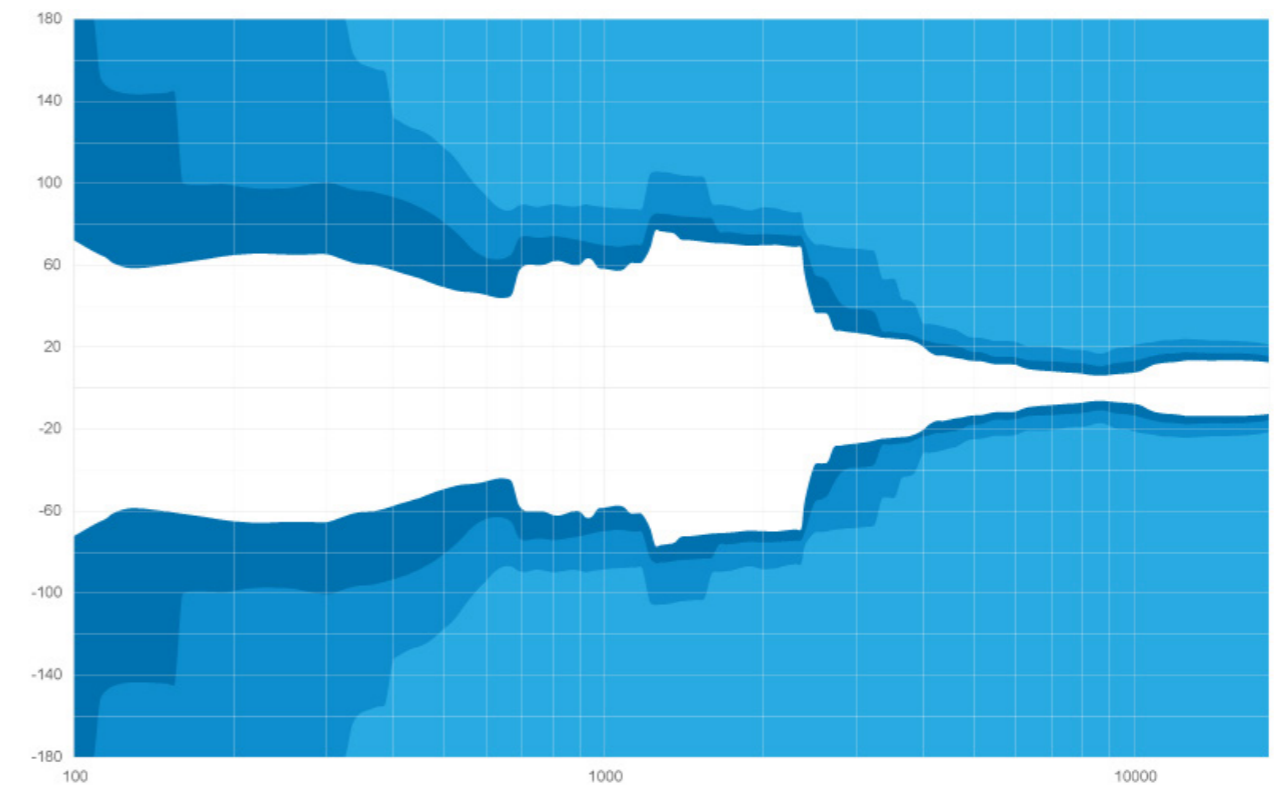


## Beamwidth

FRX 15i Horizontal beamwidth



FRX 15i Vertical beamwidth



## Contact & Links

---

### Need more information about our products ?

[www.audiofocus.eu](http://www.audiofocus.eu)

[info@audiofocus.eu](mailto:info@audiofocus.eu)

[www.facebook.com/AudiofocusPage/](https://www.facebook.com/AudiofocusPage/)

[www.facebook.com/groups/AUDIOFOCUS/](https://www.facebook.com/groups/AUDIOFOCUS/)

Scan QR Code to view the FRX 15i product's web page.



Follow Us.

